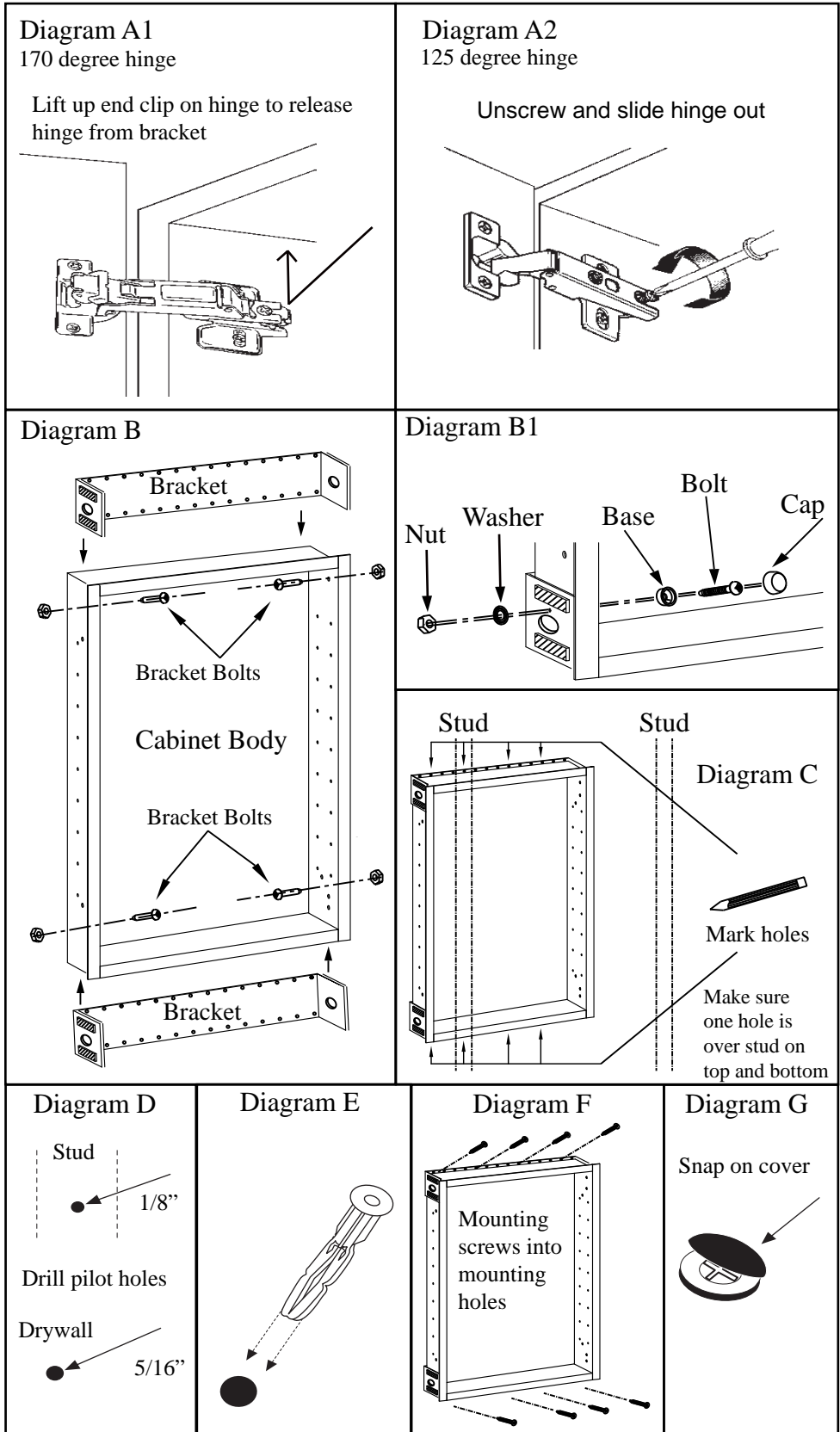


This surface mounting kit will allow installation of your new Nutone bath cabinet without cutting a hole in the wall. It is highly recommended that you locate at least one wall stud within the mounting area of your bath cabinet.

- If the door came attached to the bath cabinet remove as follows:
 - 170 degree Hinge: Un-clip hinge as shown in Diagram (A1).
 - 125 degree Hinge: Loosen screw and slide hinge out as shown in Diagram (A2).
 - Carefully place door on a soft protective cloth to prevent damage to mirror.
- After you decide where you wish to mount your bath cabinet, locate at least one wall stud within the mounting area. The studs are usually 16" on center. As your bath cabinet is about 15" wide there should be at least one stud within the area you wish to mount the cabinet. Note: You may have to move the cabinets lightly left or right to be able to center one of the mounting holes over the wall stud.
- Attach mounting brackets to top and bottom of cabinet as shown in Diagram (B) using the nuts and bolts screw cap base and screw covers (four sets provided) as shown in Diagram (B1). Do not over tighten the mounting screws as the body side walls may bend and prevent proper shelf installation. Only tighten screws until they are flush with the body.
- Place the bath cabinet with mounting brackets attached on the wall. You may have to adjust the location right or left of center one of the mounting holes over the stud. Carefully mark the hole over the wall stud for both top and bottom brackets. Then, mark one additional hole on the top and bottom as far away from the other hole as possible. If the wall stud is near the center of the cabinet it is recommended that you use four screws in wall anchors as far out to the edges of the cabinet as possible. See Diagram (C).
- Take cabinet down off of the wall and drill the wall mounting holes. For the screws into the wall studs drill a 1/8" pilot hole. The other screw holes should be made to the recommended size for the wall anchor you are using. If you use the drywall anchors provided (four included) with you bath cabinet a 5/16" hole is required. See Diagram (D).
- Insert the included drywall anchors as shown in Diagram (E). If you use another type anchor it should be installed per the manufacturer's instructions.
- Once the cabinet/bracket assembly is mounted to the wall, snap the screw covers over the screw heads located within the cabinet. Diagram (G).



8. Before proceeding to the next step, test the fit of the side mirrors. Carefully, place one side mirror between the body and the wall, making sure that enough space is allocated for the mirror. Remove the mirror and test the other side with the other mirror.

9. With the bath cabinet mounted securely on the wall, attach the side mirrors. First, mount the styrofoam blocks included in your kit. Place the block on each side of the cabinet as shown in Diagram (H1). Note: for 34" cabinets you will mount two styrofoam blocks on each side of your cabinet as shown in diagram (H2). Remove the protective strip from one side of the block and place the tacky side to the body. Press firmly to ensure proper adhesion. Once the blocks are attached, remove the protective strip from all the tape pieces located on the blocks and the bracket and mount the mirrors on each side. Be sure the mirror is aligned to the top and bottom of the cabinet and the wall before pressing in place. Press firmly on the mirror to be sure that it is securely attached to the mounting brackets.

10. Install hinges. Mount hinge unit on door as shown in Diagram (I1 & I2) with screws provided.

11. Install the door by inserting door side of the hinge into the bracket on the body as shown:
 a) 170 degree Hinge: Insert door side of clip hinge as shown in Diagram (I3).
 b) 125 degree Hinge: Slide hinge arm on to the bracket and tighten mounting screws as shown in Diagram (I4).

12. Check door for proper alignment. If the door needs to be adjusted please refer to the adjustment procedures in Diagram (J1 & J2). Door edges should be aligned with the edges of the body and should fit evenly to the face of the body. Optional: To allow the door to open to 170 degrees, remove the limit clip shown in Diagram (J1). This option only applies to units with 170 degree hinges.

13. Install shelves as directed below:
 a) Select where you want the shelves to be placed.
 b) Insert two shelf brackets for each end of the shelf at the desired locations.
 c) Set shelves in place on the shelf brackets. Diagram (K).

